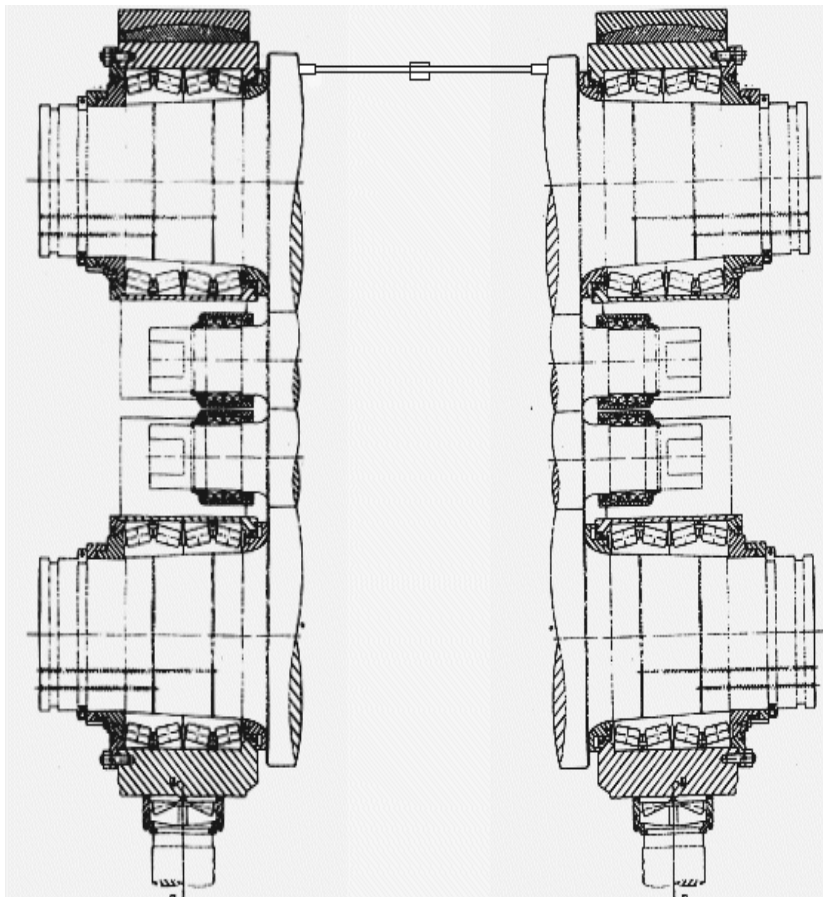


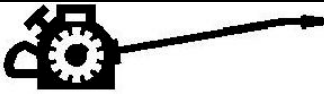
NORTEK
SISTEMAS DE ENGRASE

AIR / OIL LUBRICATION

In the lubrication of big chokes, to simplify the removal with the inlet of one pipe, more than ten years ago NORTEK developed an AIR / OIL divider, with much greater precision than the existing ones, called "DIVINOR[©]", which has the advantage of making the divisions with accuracy, due to the fact that the direction of rotation of the air is taken advantage of.

With this divider and with only one inlet, the two chokes of one cylinder can be lubricated, placing a tube between them.





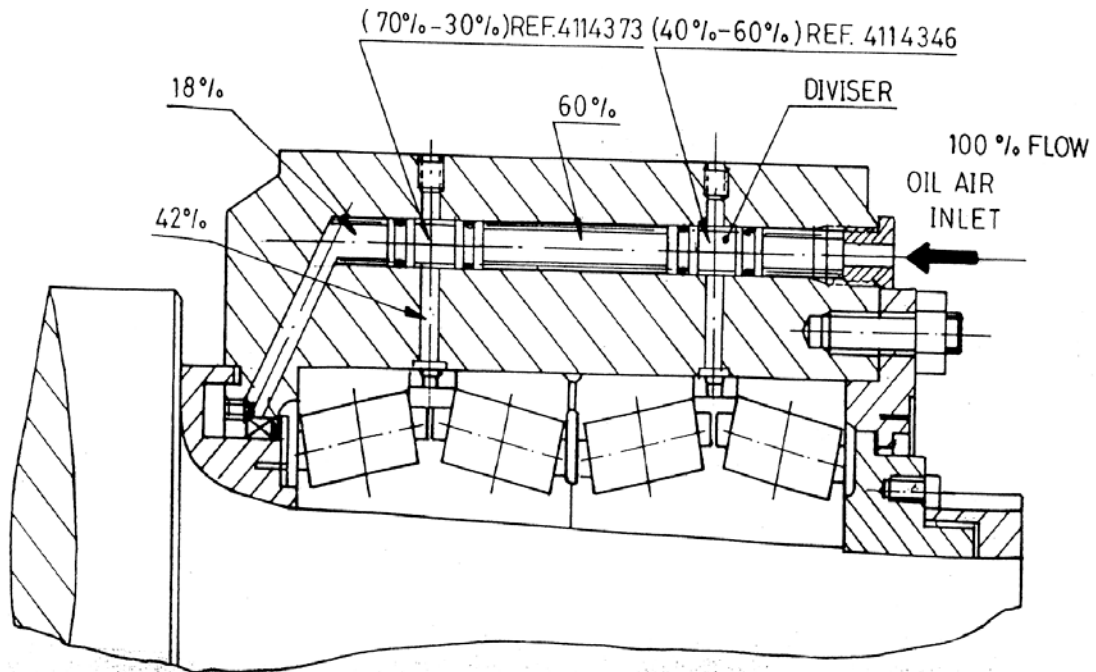
NORTEK
SISTEMAS DE ENGRASE

AIR / OIL LUBRICATION

“DIVINOR ©” DIVIDER

Spain patent N°.- P98.02620

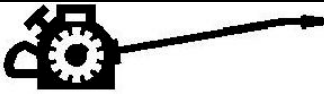
Others patent pending



Example divider 40 / 60

60 % Towards other grease points.

40 % Towards the lubrication point.



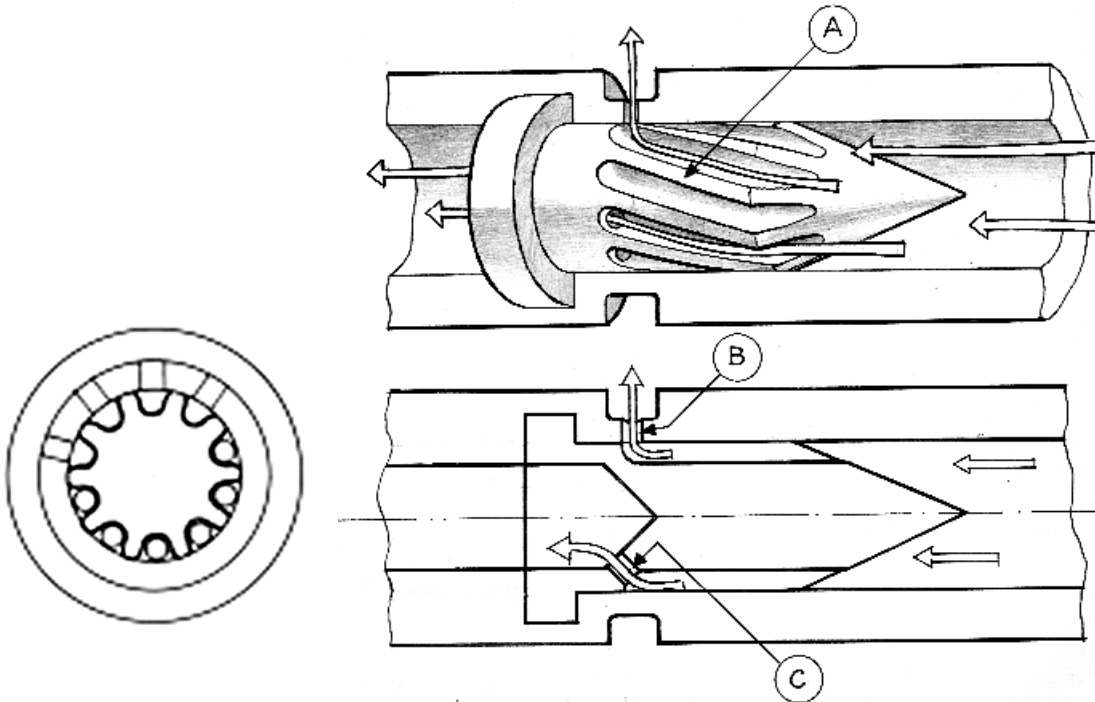
NORTEK
SISTEMAS DE ENGRASE

AIR / OIL LUBRICATION

“DIVINOR©” DIVIDER

Spain patent N^o.- P98.02620

Others patent pending



CHARACTERISTICS AND ADVANTAGES.-

The “DIVINOR©” fluid divider has the advantage of being able to select the amount of fluid which is derived, proportional to the no. of gear teeth. And those that go through the centre of the gearing and are derived towards the outside of the gearing.

For example :

If we fit a 10-tooth gear we can derive

10% towards the grease point.

90% towards other points.

As maximum.

Depending on how we place the hole.

90% towards other points.

10% towards the grease point.

As minimum

“The greasing direction is helicoidal and in the direction of rotation of the fluid to facilitate its distribution”.

In the northern hemisphere it will have one direction and in the southern the opposite, according to the “CORIOLIS” theorem.